



WAC LIGHTING®

SMART FAN
SOLUTIONS

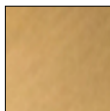
2026
SUPPLEMENT

WAC LIGHTING SMART FANS

Our Smart Fans combine energy-efficient DC motors, smart home connectivity, and sophisticated styling at competitive price points, creating a compelling ceiling fan collection that is unmatched in quality and function.

- New housing styles, contemporary blade designs and beautiful finishes bring fresh possibilities for residential and commercial settings.
- Integrated, dimmable LED light sources deliver energy-efficient illumination to surrounding spaces, and lighting and fan speed control is easy with Bluetooth remote or optional Bluetooth wall controls.
- Download the free MyWAC Smart Fans app and synchronize with a multitude of devices for smart home control anywhere in the world.

FINISH CODES:



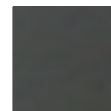
AB: Aged Brass



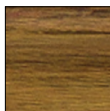
BA: Brushed Aluminum



BN: Brushed Nickel



BZ: Bronze



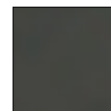
DK: Distressed Koa



MB: Matte Black



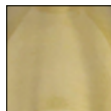
MW: Matte White



OB: Oil-Rubbed Bronze



SL: Silver



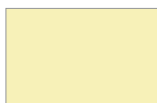
SB: Soft Brass

TABLE OF CONTENTS

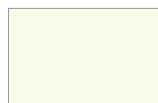
| | |
|--------------------------------|---------|
| SMART FAN PLUS SERIES | 4 - 5 |
| ZEKE | 6 - 9 |
| FERRIS | 10 - 13 |
| SMART FAN CLASSIC SERIES | 14 - 15 |
| GAGE | 16 - 19 |
| FLAIR | 20 - 23 |
| NOVELLE | 24 - 27 |
| AELLA | 28 - 31 |
| BLITZEN | 32 - 35 |
| CLEAN | 36 - 39 |
| ECLIPSE | 40 - 43 |
| HUG 44" & 52" | 44 - 47 |
| LOFT | 48 - 51 |
| MOCHA | 52 - 55 |
| MOCHA XL | 56 - 59 |
| MOD | 60 - 63 |
| ODYSSEY | 64 - 67 |
| ODYSSEY FLUSH 44" & 52" | 68 - 71 |
| STELLA | 72 - 75 |
| SWIRL | 76 - 79 |
| SWIRL 5 | 80 - 83 |
| ACCESSORIES | 84 - 85 |



2700K
Warm Light



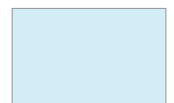
3000K
Soft White Light



3500K
White Light



4000K
Neutral White Light



5000K
Pure White Light

CCT Selection from Remote & Wall Station

Preset Color Temperatures

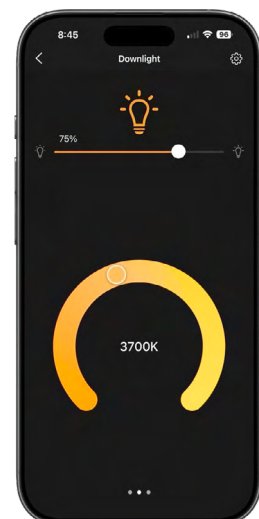
The new remote and wall station do not include tunable white. They offer five preset CCT selections, making adjustments simple and consistent.

Tunable White

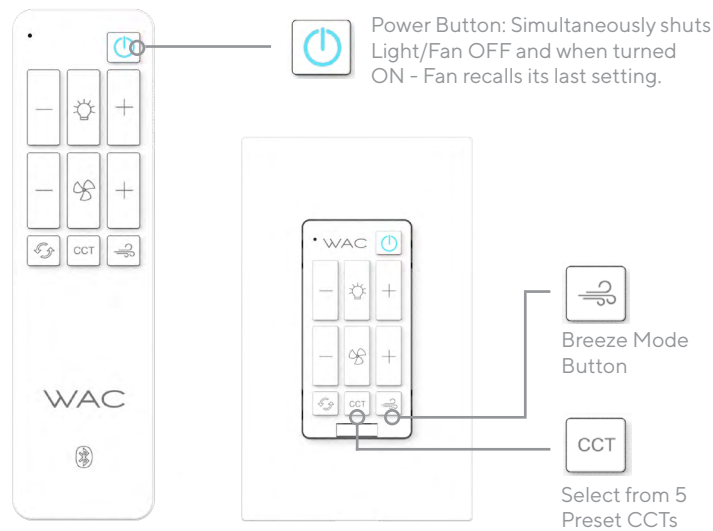
Available Only in the myWAC® App

Certain 2026 fans feature full Tunable White control, where users can smoothly adjust the lighting from warm to cool with an intuitive slider.

- App-only warm-to-cool tuning
- Unified up/downlight adjustment
- Scene-based automation for daily rhythms
- Match lighting tone to materials, palettes, and mood



Downlight Fan Remote & Wall Station



NEW Fan Remote & Wall Station Technology

Precision Control at Your Fingertips

Our newly redesigned control platform eliminates common frustrations and enhances day-to-day ease. Purpose-built for faster, cleaner, and more reliable control, it feels as smart as the fans it commands.

- Remote powered by AAA batteries and secured in a reinforced cradle
 - Independent on/off and dimming control for uplight & downlight
 - Five fixed CCT selections (2700K-5000K) – no tunable slider
 - Redesigned receiver for improved reliability and streamlined wiring
 - Remote and wall station pair seamlessly with the myWAC® app for unified fan & lighting management
-





Smart Fan Plus Series

Enhanced Performance.
Elevated Design.

The WAC Smart Fan Plus Series features upgraded engineering, enhanced stability, and more refined design details. Advanced electronics, expanded lighting options, and elevated finishes support smoother operation and greater flexibility, making Plus Series fans ideal for larger spaces and higher performance demands.





TITLE 24
California Energy
Commission

TITLE 20
California Energy
Commission

DC
MOTOR



MY
WAC



PATENTED

ZEKE

New for 2026

Shown: F-111L-MB/DK

60 inch: F-111L

| Finish | Housing | Blade |
|--------------|-------------|----------------|
| MB | Matte Black | Matte Black |
| MB/DK | Matte Black | Distressed Koa |
| MW | Matte White | Matte White |

SPECIFICATIONS

60" Zeke

| | |
|---------------------------|---|
| Blade: | 14° Pitch, 60" Sweep, ABS |
| Lead Wire: | 66" Comes with included connectors |
| Downrod: | 0.75"ID x 6"H included |
| Mounting Slope: | Up to 30° standard |
| Hanging Weight: | 16.5 lbs |
| Total Power: | 53 W |
| Lumens: | 3687-3846 (Based on CCT) |
| LED Power: | 30 W |
| CRI: | 90 |
| Color Temperature: | 2700K, 3000K, 3500K, 4000K, 5000K (Tunable White) |
| LED Rated Life: | 50,000 hrs |

BLUETOOTH REMOTE CONTROL



RCG4-WT
Included with each fan
6 speeds
ON/OFF

OPTIONAL BLUETOOTH WALL CONTROL



WCG4-WT
Optional with each fan
6 speeds
ON/OFF



F-111L-MB/DK
Matte Black/Distressed Koa

60" Zeke | New for 2026

ENERGY GUIDE

| Standard | High Speed | Weighted Average |
|---------------|------------|------------------|
| Electricity | 23 W | 17 W |
| Airflow | 6665 CFM | 4380 CFM |
| Energy Costs* | - | \$5 yr |
| Efficiency | 268 CFM/W | 268 CFM/W |

* Estimated annual energy cost based on \$0.12 per kWh and 6.4 hours use per day.



TITLE 24
California Energy
Commission

TITLE 20
California Energy
Commission

DC
MOTOR



MY
WAC



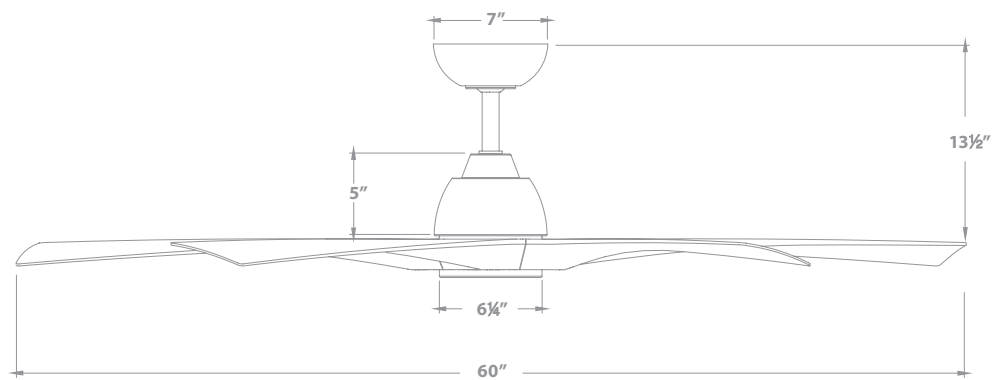
PATENTED



F-111L-MB
Matte Black



F-111L-MW
Matte White







TITLE 24
California Energy
Commission

TITLE 20
California Energy
Commission

DC
MOTOR



MY
WAC



PATENTED

FERRIS

New for 2026

Shown: F-110L-MW

52 inch: F-110L

| Finish | Housing | Blade |
|-----------|-------------|-------------|
| MB | Matte Black | Matte Black |
| MW | Matte White | Matte White |

SPECIFICATIONS

52" Ferris

| | |
|---------------------------|---|
| Blade: | 25° Pitch, 52" Sweep, ABS |
| Lead Wire: | 66" Comes with included connectors |
| Downrod: | 0.75"ID x 6"H included |
| Mounting Slope: | Up to 30° standard |
| Hanging Weight: | 9.9 lbs |
| Total Power: | 60 W |
| Lumens: | 3687 - 3846 (Based on CCT) |
| LED Power: | 30 W |
| CRI: | 90 |
| Color Temperature: | 2700K, 3000K, 3500K, 4000K, 5000K (Tunable White) |
| LED Rated Life: | 50,000 hrs |

BLUETOOTH REMOTE CONTROL



RCG4-WT
Included with each fan
6 speeds
ON/OFF

OPTIONAL BLUETOOTH WALL CONTROL



WCG4-WT
Optional with each fan
6 speeds
ON/OFF



F-110L-MW
Matte White

52" Ferris | New for 2026

ENERGY GUIDE

| Standard | High Speed | Weighted Average |
|---------------|------------|------------------|
| Electricity | 30 W | 22 W |
| Airflow | 5842 CFM | 3731 CFM |
| Energy Costs* | - | \$6 yr |
| Efficiency | 184 CFM/W | 179 CFM/W |

* Estimated annual energy cost based on \$0.12 per kWh and 6.4 hours use per day.



TITLE 24
California Energy
Commission

TITLE 20
California Energy
Commission

DC
MOTOR



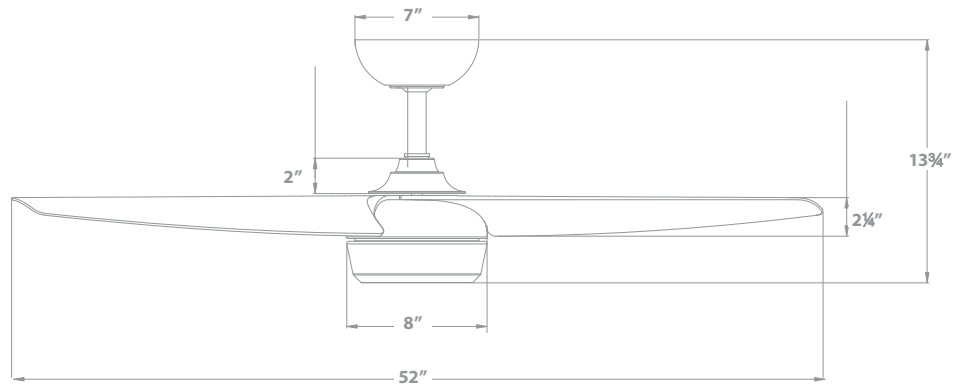
MY
WAC



PATENTED



F-110L-MB
Matte Black







WAC Smart Fan Classic Series

Smart Comfort. Everyday Value.

The WAC Smart Fan Classic Series delivers dependable performance, quiet comfort, and intuitive smart control in versatile transitional designs. With strong airflow, integrated lighting options, and proven technology, these fans offer a well-rounded smart solution at an accessible value for a wide range of spaces.





TITLE 24
California Energy
Commission

TITLE 20
California Energy
Commission

DC
MOTOR



PATENTED

GAGE

New for 2025

Shown: F-104L-BN/SL

52 inch: F-104L

| Finish | Housing | Blade |
|--------------|----------------|-------------|
| BN/SL | Brushed Nickel | Silver |
| MB | Matte Black | Matte Black |
| MW | Matte White | Matte White |

SPECIFICATIONS

52" Gage

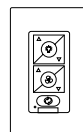
| | |
|---------------------------|---|
| Blade: | 16° Pitch, 52" Sweep, ABS |
| Lead Wire: | 80" |
| Downrod: | 0.75"ID x 6"H included |
| Mounting Slope: | Up to 30° standard |
| Hanging Weight: | 11.9 lbs |
| Total Power: | 49 W |
| Lumens: | 1991 - 2159 (Based on CCT) |
| LED Power: | 21 W |
| CRI: | 90 |
| Color Temperature: | 2700K, 3000K, 4000K, 5000K (Selectable) |
| LED Rated Life: | 50,000 hrs |

BLUETOOTH REMOTE CONTROL



RC20-WT
Included with each fan
6 speeds
ON/OFF

OPTIONAL BLUETOOTH WALL CONTROL



WC20-WT
Optional with each fan
6 speeds
ON/OFF



F-104L-MW
Matte White

54" Gage | New for 2025

ENERGY GUIDE

| Standard | High Speed | Weighted Average |
|---------------|------------|------------------|
| Electricity | 27 W | 19 W |
| Airflow | 6272 CFM | 3987 CFM |
| Energy Costs* | - | \$6 yr |
| Efficiency | 204 CFM/W | 204 CFM/W |

* Estimated annual energy cost based on \$0.12 per kWh and 6.4 hours use per day.



TITLE 24
California Energy
Commission

TITLE 20
California Energy
Commission

DC
MOTOR



DAMP

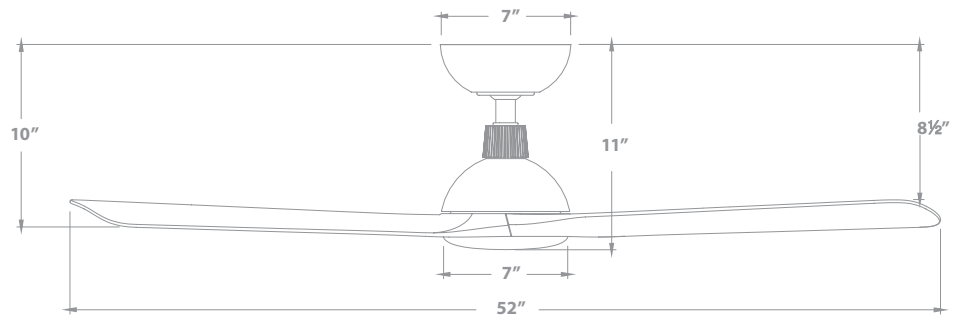
PATENTED



F-104L-MB
Matte Black



F-104L-BN/SL
Brushed Nickel/Silver





FLAIR New for 2025

Shown: F-103L-MB



TITLE 24
California Energy
Commission

TITLE 20
California Energy
Commission

DC
MOTOR



PATENTED

56 inch: F-103L

| Finish | Housing | Blade |
|-----------|-------------|-------------|
| MB | Matte Black | Matte Black |
| MW | Matte White | Matte White |

SPECIFICATIONS

56" Flair

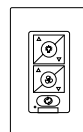
| | |
|-------------------------|---|
| Blade: | 16° Pitch, 56" Sweep, ABS |
| Lead Wire: | 80" |
| Downrod: | 0.75"ID x 6"H included |
| Mounting Slope: | Up to 30° standard |
| Hanging Weight: | 10.8 lbs |
| Total Power: | 51 W |
| Lumens: | 1991 - 2159 (Based on CCT) |
| LED Power: | 21 W |
| CRI: | 90 |
| Color Tempature: | 2700K, 3000K, 4000K, 5000K (Selectable) |
| LED Rated Life: | 50,000 hrs |

BLUETOOTH REMOTE CONTROL



RC20-WT
Included with each fan
6 speeds
ON/OFF

OPTIONAL BLUETOOTH WALL CONTROL



WC20-WT
Optional with each fan
6 speeds
ON/OFF



F-103L-MB
Matte Black

54" Flair | New for 2025

ENERGY GUIDE

| Standard | High Speed | Weighted Average |
|---------------|------------|------------------|
| Electricity | 36 W | 19 W |
| Airflow | 6582 CFM | 4246 CFM |
| Energy Costs* | - | \$5 yr |
| Efficiency | 220 CFM/W | 205 CFM/W |

* Estimated annual energy cost based on \$0.12 per kWh and 6.4 hours use per day.



TITLE 24
California Energy
Commission

TITLE 20
California Energy
Commission

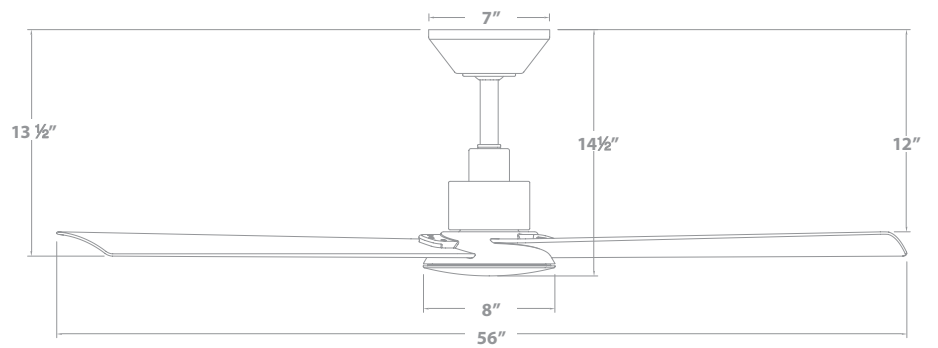
DC
MOTOR



PATENTED



F-103L-MW
Matte White







TITLE 24
California Energy
Commission

TITLE 20
California Energy
Commission

DC
MOTOR



PATENTED

NOVELLE

New for 2025

Shown: F-109L-MW

52 inch: F-109L

| Finish | Housing | Blade |
|-----------|-------------|-------------|
| MB | Matte Black | Matte Black |
| MW | Matte White | Matte White |

SPECIFICATIONS

52" Novelle

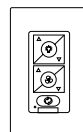
| | |
|---------------------------|---|
| Blade: | 30° Pitch, 52" Sweep, ABS |
| Lead Wire: | 80" |
| Downrod: | 0.75"ID x 6"H included |
| Mounting Slope: | Up to 30° standard |
| Hanging Weight: | 11.46 lbs |
| Total Power: | 52 W |
| Lumens: | 1497 - 1606 (Based on CCT) |
| LED Power: | 16 W |
| CRI: | 90 |
| Color Temperature: | 2700K, 3000K, 4000K, 5000K (Selectable) |
| LED Rated Life: | 50,000 hrs |

BLUETOOTH REMOTE CONTROL



RC20-WT
Included with each fan
6 speeds
ON/OFF

OPTIONAL BLUETOOTH WALL CONTROL



WC20-WT
Optional with each fan
6 speeds
ON/OFF



F-109L-MW
Matte White

Shown with included luminaire cover

52" Novelle | New for 2025

ENERGY GUIDE

| Standard | High Speed | Weighted Average |
|---------------|------------|------------------|
| Electricity | 36 W | 25 W |
| Airflow | 4430 CFM | 2774 CFM |
| Energy Costs* | - | \$7 yr |
| Efficiency | 116 CFM/W | 116 CFM/W |

* Estimated annual energy cost based on \$0.12 per kWh and 6.4 hours use per day.



TITLE 24
California Energy
Commission

TITLE 20
California Energy
Commission

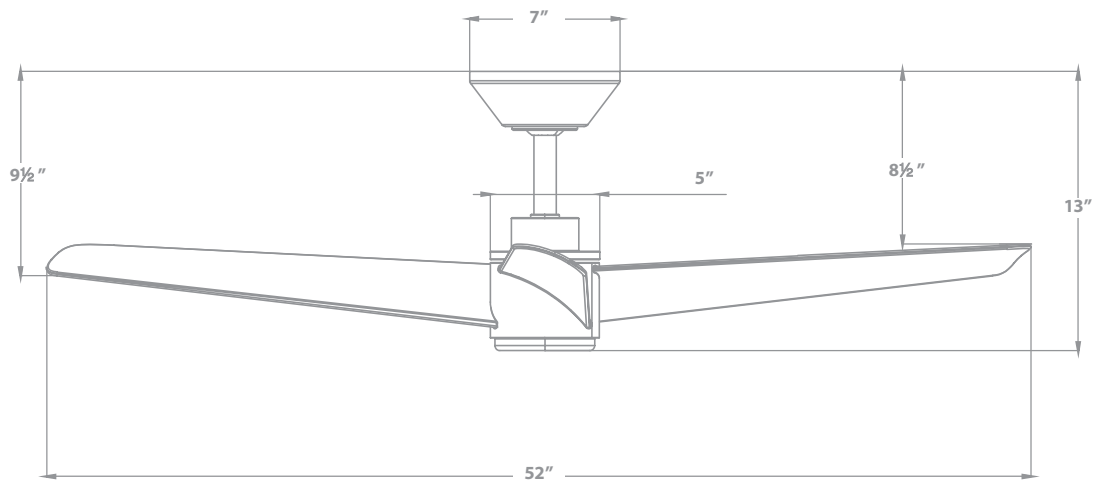
DC
MOTOR



PATENTED



F-109L-MB
Matte Black







TITLE 24
California Energy
Commission

TITLE 20
California Energy
Commission

DC
MOTOR



 **PATENTED**
DAMP

AELLA

Shown: F-096L-AB/MB

22 inch: F-096L

| Finish | Housing | Blade |
|--------------|----------------|-------------|
| AB/MB | Aged Brass | Matte Black |
| BN/MB | Brushed Nickel | Matte Black |
| MB | Matte Black | Matte Black |

SPECIFICATIONS

22" Aella

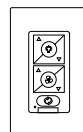
| | |
|---------------------------|---------------------------|
| Blade: | 26° Pitch, 22" Sweep, ABS |
| Lead Wire: | 8" |
| Hanging Weight: | 14 lbs |
| Total Power: | 17 W |
| Lumens: | 1200 |
| LED Power: | 16 W |
| CRI: | 90 |
| Color Temperature: | 3000K |
| LED Rated Life: | 50,000 hrs |

BLUETOOTH REMOTE CONTROL



RC20-WT
Included with each fan
6 speeds
ON/OFF

OPTIONAL BLUETOOTH WALL CONTROL



WC20-WT
Optional with each fan
6 speeds
ON/OFF



F-096L-MB
Matte Black



F-096L-BN/MB
Brushed Nickel/Matte Black

22" Aella

ENERGY GUIDE

| Standard | High Speed | Weighted Average |
|---------------|------------|------------------|
| Electricity | 14 W | 14 W |
| Airflow | 1191 CFM | 758 CFM |
| Energy Costs* | - | \$4 yr |
| Efficiency | - | 55 CFM/W |

* Estimated annual energy cost based on \$0.12 per kWh and 6.4 hours use per day.



TITLE 24
California Energy
Commission

TITLE 20
California Energy
Commission

DC
MOTOR

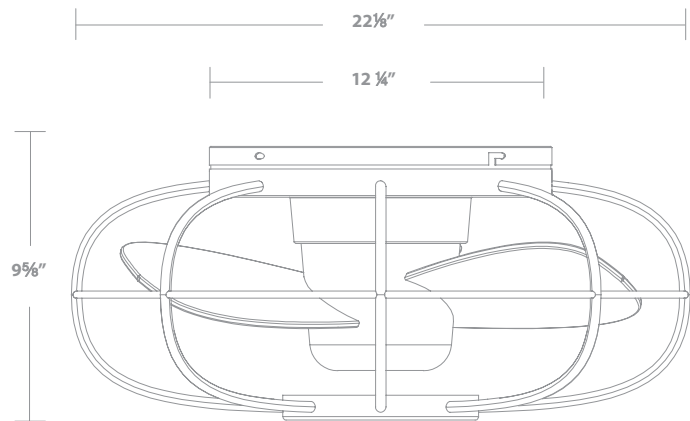


 DAMP

PATENTED



F-096L-AB/MB
Aged Brass/Matte Black







TITLE 24
California Energy
Commission

TITLE 20
California Energy
Commission

DC
MOTOR



PATENTED

BLITZEN

Shown: F-060L-MB

54 inch: F-060

54 inch: F-060L

| Finish | Housing | Blade |
|-----------|----------------|-----------------|
| BN | Brushed Nickel | Titanium Silver |
| MB | Matte Black | Matte Black |
| MW | Matte White | Matte White |

SPECIFICATIONS

54" Blitzen

| | |
|------------------------|---------------------------|
| Blade: | 14° Pitch, 54" Sweep, ABS |
| Lead Wire: | 80" |
| Downrod: | 0.75"ID x 4.5"H included |
| Mounting Slope: | Up to 30° standard |
| Hanging Weight: | 14.5 lbs |

Luminaire Version

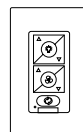
| | |
|---------------------------|----------------------------|
| Total Power: | 22 W |
| Lumens: | 1497 - 1606 (Based on CCT) |
| LED Power: | 16 W |
| CRI: | 90 |
| Color Temperature: | 3000K |
| LED Rated Life: | 50,000 hrs |

BLUETOOTH REMOTE CONTROL



RC20-WT
Included with each fan
6 speeds
ON/OFF

OPTIONAL BLUETOOTH WALL CONTROL



WC20-WT
Optional with each fan
6 speeds
ON/OFF



F-060L-MB
Matte Black



F-060-BN
Brushed Nickel/Titanium Silver
Shown with included luminaire cover

54" Blitzen

ENERGY GUIDE

| Standard | High Speed | Weighted Average |
|---------------|------------|------------------|
| Electricity | 14 W | 14 W |
| Airflow | 4796 CFM | 3042 CFM |
| Energy Costs* | - | \$5 yr |
| Efficiency | - | 169 CFM/W |

* Estimated annual energy cost based on \$0.12 per kWh and 6.4 hours use per day.



TITLE 24
California Energy
Commission

TITLE 20
California Energy
Commission

DC
MOTOR

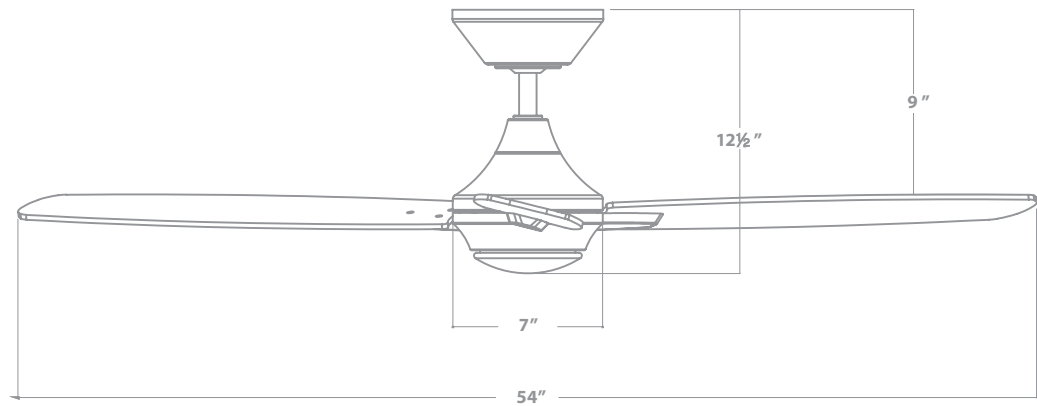


DAMP

PATENTED



F-060L-MW
Matte White







TITLE 24
California Energy
Commission

TITLE 20
California Energy
Commission

DC
MOTOR



PATENTED

CLEAN

Shown: F-003L-SB/MW

52 inch: F-003

52 inch: F-003L

| Finish | Housing | Blade |
|--------------|------------------|-----------------|
| BA | Brushed Aluminum | Titanium Silver |
| MB | Matte Black | Matte Black |
| MW | Matte White | Matte White |
| SB/MB | Soft Brass | Matte Black |
| SB/MW | Soft Brass | Matte White |

SPECIFICATIONS

52" Clean

| | |
|------------------------|---------------------------|
| Blade: | 20° Pitch, 52" Sweep, ABS |
| Lead Wire: | 80" |
| Downrod: | 0.75"ID x 4.5"H included |
| Mounting Slope: | Up to 30° standard |
| Hanging Weight: | 11 lbs |

Luminaire Version

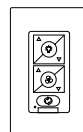
| | |
|---------------------------|----------------------------|
| Total Power: | 45 W |
| Lumens: | 1497 - 1606 (Based on CCT) |
| LED Power: | 16 W |
| CRI: | 90 |
| Color Temperature: | 3000K |
| LED Rated Life: | 50,000 hrs |

BLUETOOTH REMOTE CONTROL



RC20-WT
Included with each fan
6 speeds
ON/OFF

OPTIONAL BLUETOOTH WALL CONTROL

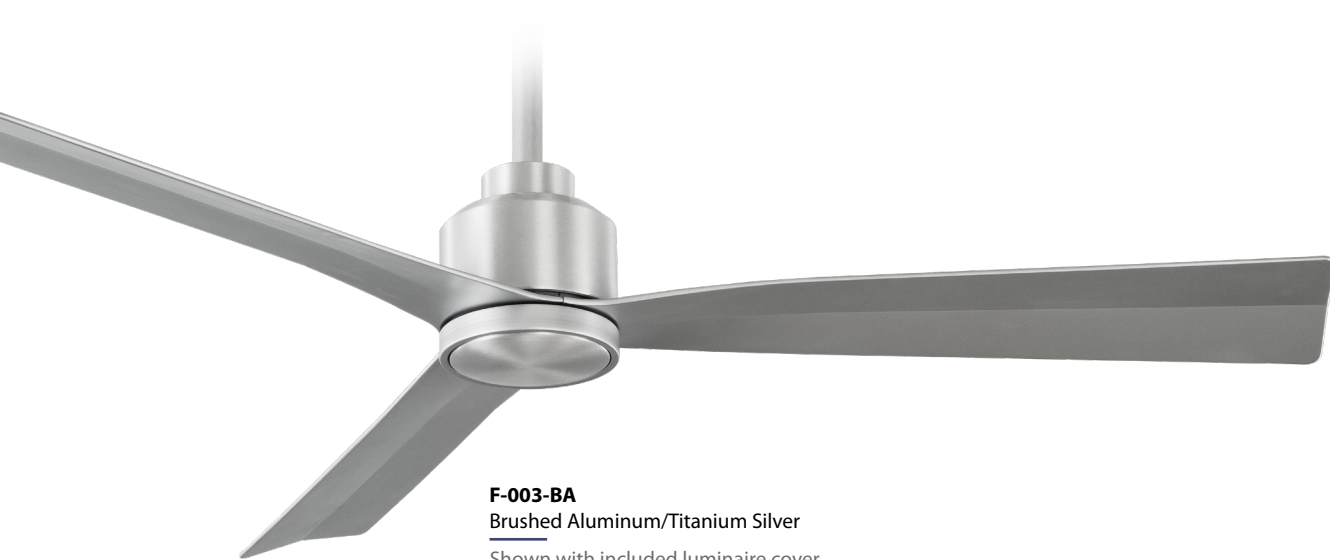


WC20-WT
Optional with each fan
6 speeds
ON/OFF



F-003-MW
Matte White

Shown with included luminaire cover



F-003-BA
Brushed Aluminum/Titanium Silver

Shown with included luminaire cover



F-003L-SB/MB
Soft Brass/Matte Black

52" Clean

ENERGY GUIDE

| Standard | High Speed | Weighted Average |
|---------------|------------|------------------|
| Electricity | 30 W | 21 W |
| Airflow | 5924 CFM | 4039 CFM |
| Energy Costs* | - | \$6 yr |
| Efficiency | - | 188 CFM/W |

* Estimated annual energy cost based on \$0.12 per kWh and 6.4 hours use per day.



TITLE 24
California Energy
Commission

TITLE 20
California Energy
Commission

DC
MOTOR



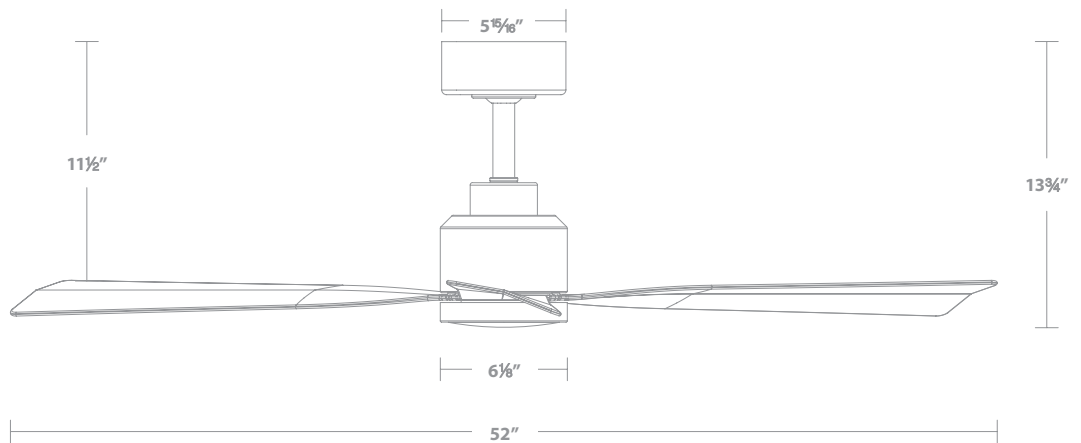
PATENTED



F-003L-MB
Matte Black



F-003L-SB/MW
Soft Brass/Matte White







TITLE 24
California Energy
Commission

TITLE 20
California Energy
Commission

DC
MOTOR



 **PATENTED**

ECLIPSE

Shown: F-053L-SB/MB

54 inch: F-053L

| Finish | Housing | Blade |
|--------------|------------|-------------|
| SB/MB | Soft Brass | Matte Black |
| SB/MW | Soft Brass | Matte White |

SPECIFICATIONS

54" Eclipse

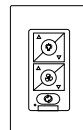
| | |
|---------------------------|---|
| Blade: | 13.5° Pitch, 54" Sweep, ABS |
| Lead Wire: | 80" |
| Downrod: | 0.75"ID x 4.5"H included |
| Mounting Slope: | Up to 30° standard |
| Hanging Weight: | 14 lbs |
| Total Power: | 57 W |
| Lumens: | 1991 - 2159 (Based on CCT) |
| LED Power: | 21 W |
| CRI: | 90 |
| Color Temperature: | 2700K, 3000K, 4000K, 5000K (Selectable) |
| LED Rated Life: | 50,000 hrs |

BLUETOOTH REMOTE CONTROL



RC20-WT
Included with each fan
6 speeds
ON/OFF

OPTIONAL BLUETOOTH WALL CONTROL



WC20-WT
Optional with each fan
6 speeds
ON/OFF



F-053L-SB/MB
Soft Brass/Matte Black

54" Eclipse

ENERGY GUIDE

| Standard | High Speed | Weighted Average |
|---------------|------------|------------------|
| Electricity | 36 W | 25 W |
| Airflow | 5106 CFM | 3263 CFM |
| Energy Costs* | - | \$7 yr |
| Efficiency | 133 CFM/W | 133 CFM/W |

* Estimated annual energy cost based on \$0.12 per kWh and 6.4 hours use per day.



TITLE 24
California Energy
Commission

TITLE 20
California Energy
Commission

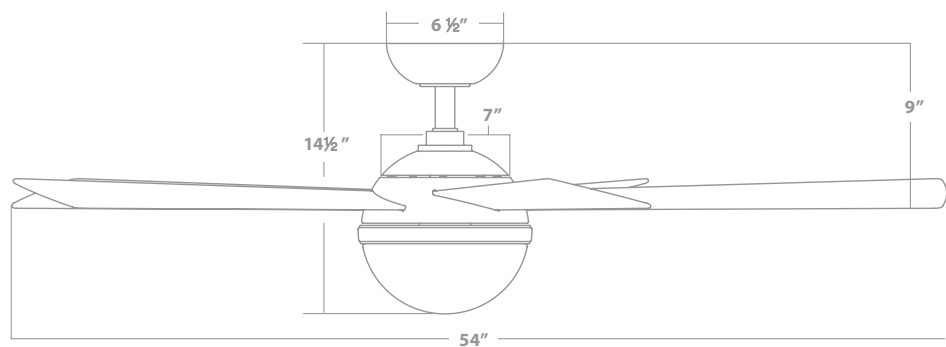
DC
MOTOR



 **DAMP** **PATENTED**



F-053L-BN/MB
Soft Brass/Matte White







TITLE 24
California Energy
Commission

TITLE 20
California Energy
Commission

DC
MOTOR



PATENTED

HUG

44" & 52"

Shown: F-037L-BN/TT

44 inch: F-036L

52 inch: F-037L

| Finish | Housing | Blade |
|-----------|----------------|-----------------|
| BN | Brushed Nickel | Titanium Silver |
| MB | Matte Black | Matte Black |
| MW | Matte White | Matte White |

SPECIFICATIONS

44" & 52" Hug

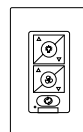
| | |
|---------------------------|---|
| Blade: | 13.5° Pitch, 44" or 52" Sweep, ABS |
| Lead Wire: | 8" |
| Hanging Weight: | 12 lbs / 12.5 lbs |
| Total Power: | 40.5 W / 46 W |
| Lumens: | 1991 - 2159 (Based on CCT) |
| LED Power: | 21 W |
| CRI: | 90 |
| Color Temperature: | 2700K, 3000K, 4000K, 5000K (Selectable) |
| LED Rated Life: | 50,000 hrs |

BLUETOOTH REMOTE CONTROL



RC20-WT
Included with each fan
6 speeds
ON/OFF

OPTIONAL BLUETOOTH WALL CONTROL



WC20-WT
Optional with each fan
6 speeds
ON/OFF



F-036L-MB
Matte Black



F-036L-MW
Matte White



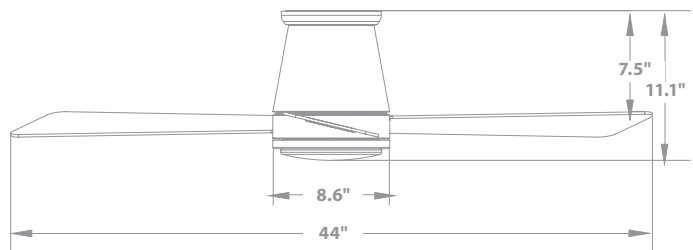
F-036L-BN
Brushed Nickel/Titanium Silver

44" Hug

ENERGY GUIDE

| Standard | High Speed | Weighted Average |
|---------------|------------|------------------|
| Electricity | 20 W | 16 W |
| Airflow | 3619 CFM | 2187 CFM |
| Energy Costs* | - | \$5 yr |
| Efficiency | - | 133 CFM/W |

* Estimated annual energy cost based on \$0.12 per kWh and 6.4 hours use per day.





TITLE 24
California Energy
Commission

TITLE 20
California Energy
Commission

DC
MOTOR



DAMP **PATENTED**



F-037L-BN
Brushed Nickel/Titanium Silver



F-037L-MB
Matte Black



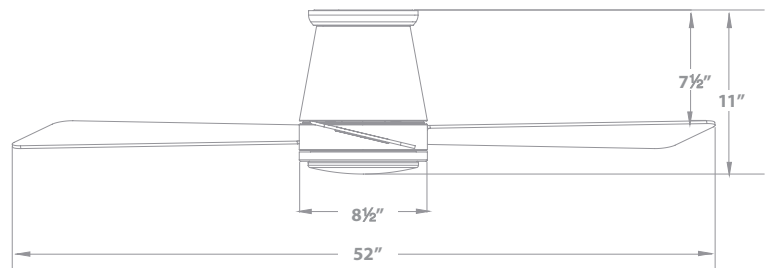
F-037L-MW
Matte White

52" Hug

ENERGY GUIDE

| Standard | High Speed | Weighted Average |
|---------------|------------|------------------|
| Electricity | 25 W | 20 W |
| Airflow | 4469 CFM | 2793 CFM |
| Energy Costs* | - | \$6 yr |
| Efficiency | - | 142 CFM/W |

* Estimated annual energy cost based on \$0.12 per kWh and 6.4 hours use per day.







TITLE 24
California Energy
Commission

TITLE 20
California Energy
Commission

DC
MOTOR



PATENTED

LOFT

Shown: F-094L-SB/MB

38 inch: F-094L

| Finish | Housing | Blade |
|--------------|-------------|-------------|
| MB | Matte Black | Matte Black |
| MW | Matte White | Matte White |
| SB/MB | Soft Brass | Matte Black |

SPECIFICATIONS

38" Loft

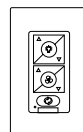
| | |
|---------------------------|---------------------------|
| Blade: | 18° Pitch, 38" Sweep, ABS |
| Lead Wire: | 80" |
| Downrod: | 0.75"ID x 4.5"H included |
| Mounting Slope: | Up to 30° standard |
| Hanging Weight: | 17 lbs |
| Total Power: | 37 W |
| Lumens: | 1110 |
| LED Power: | 13 W |
| CRI: | 90 |
| Color Temperature: | 3000K |
| LED Rated Life: | 50,000 hrs |

BLUETOOTH REMOTE CONTROL



RC20-WT
Included with each fan
6 speeds
ON/OFF

OPTIONAL BLUETOOTH WALL CONTROL



WC20-WT
Optional with each fan
6 speeds
ON/OFF



F-094L-SB/MB
Soft Brass/Matte Black



F-094L-MB
Matte Black

38" Loft

ENERGY GUIDE

| Standard | High Speed | Weighted Average |
|---------------|------------|------------------|
| Electricity | 32 W | 20 W |
| Airflow | 4057 CFM | 2467 CFM |
| Energy Costs* | - | \$5 yr |
| Efficiency | - | 133 CFM/W |

* Estimated annual energy cost based on \$0.12 per kWh and 6.4 hours use per day.



TITLE 24
California Energy
Commission

TITLE 20
California Energy
Commission

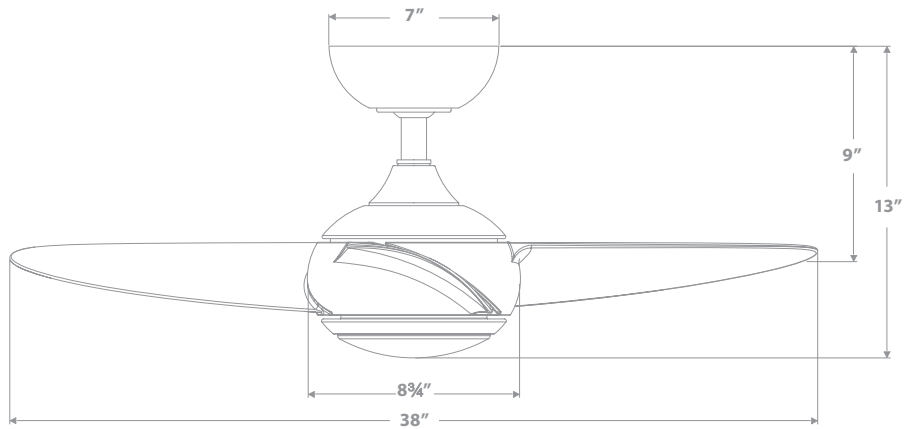
DC
MOTOR



PATENTED



F-094L-MW
Matte White





MOCHA

Shown: F-001L-OB



TITLE 24
California Energy
Commission

TITLE 20
California Energy
Commission

DC
MOTOR



PATENTED

54 inch: F-001

54 inch: F-001L

| Finish | Housing | Blade |
|-----------|-------------------|-----------------|
| BA | Brushed Aluminum | Titanium Silver |
| MB | Matte Black | Matte Black |
| MW | Matte White | Matte White |
| OB | Oil-Rubbed Bronze | Bronze |

SPECIFICATIONS

54" Mocha

| | |
|------------------------|---------------------------|
| Blade: | 14° Pitch, 54" Sweep, ABS |
| Lead Wire: | 80" |
| Downrod: | 0.75"ID x 4.5"H included |
| Mounting Slope: | Up to 30° standard |
| Hanging Weight: | 17 lbs |

Luminaire Version

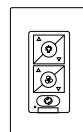
| | |
|---------------------------|---|
| Total Power: | 46 W |
| Lumens: | 1991 - 2159 (Based on CCT) |
| LED Power: | 21 W |
| CRI: | 90 |
| Color Temperature: | 2700K, 3000K, 4000K, 5000K (Selectable) |
| LED Rated Life: | 50,000 hrs |

BLUETOOTH REMOTE CONTROL



RC20-WT
Included with each fan
6 speeds
ON/OFF

OPTIONAL BLUETOOTH WALL CONTROL



WC20-WT
Optional with each fan
6 speeds
ON/OFF



F-001-OB
 Oil-Rubbed Bronze
 Shown with included luminaire cover



F-001-BA
 Brushed Aluminum/Titanium Silver
 Shown with included luminaire cover

54" Mocha

ENERGY GUIDE

| Standard | High Speed | Weighted Average |
|---------------|------------|------------------|
| Electricity | 36 W | 20 W |
| Airflow | 6872 CFM | 4633 CFM |
| Energy Costs* | - | \$6 yr |
| Efficiency | - | 231 CFM/W |

* Estimated annual energy cost based on \$0.12 per kWh and 6.4 hours use per day.



TITLE 24
California Energy
Commission

TITLE 20
California Energy
Commission

DC
MOTOR



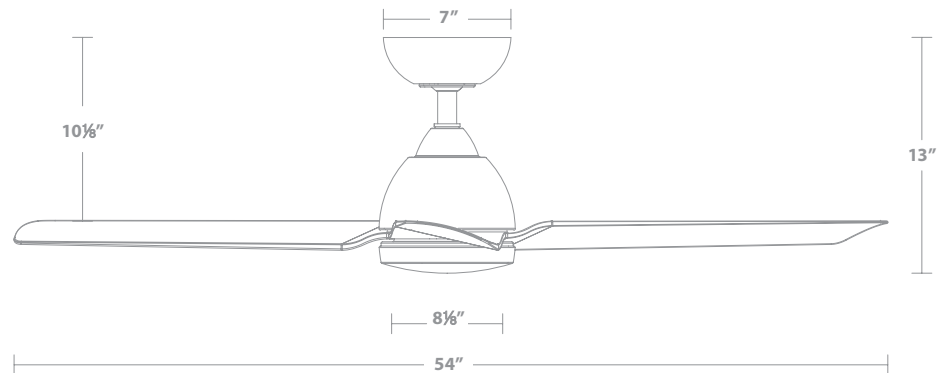
PATENTED



F-001L-MW
Matte White



F-001L-MB
Matte Black







TITLE 24
California Energy
Commission

TITLE 20
California Energy
Commission

DC
MOTOR



PATENTED

MOCHA XL

Shown: F-064L-WT

66 inch: F-064

66 inch: F-064L

| Finish | Housing | Blade |
|-----------|-------------|-------------|
| MB | Matte Black | Matte Black |
| MW | Matte White | Matte White |

SPECIFICATIONS

66" Mocha XL

| | |
|------------------------|---------------------------|
| Blade: | 13° Pitch, 66" Sweep, ABS |
| Lead Wire: | 80" |
| Downrod: | 0.75"ID x 6"H included |
| Mounting Slope: | Up to 30° standard |
| Hanging Weight: | 30 lbs |

Luminaire Version

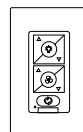
| | |
|---------------------------|---|
| Total Power: | 56 W |
| Lumens: | 1991 - 2159 (Based on CCT) |
| LED Power: | 21 W |
| CRI: | 90 |
| Color Temperature: | 2700K, 3000K, 4000K, 5000K (Selectable) |
| LED Rated Life: | 50,000 hrs |

BLUETOOTH REMOTE CONTROL



RC20-WT
Included with each fan
6 speeds
ON/OFF

OPTIONAL BLUETOOTH WALL CONTROL



WC20-WT
Optional with each fan
6 speeds
ON/OFF



F-064L-MB
Matte Black

66" Mocha XL

ENERGY GUIDE

| Standard | High Speed | Weighted Average |
|---------------|------------|------------------|
| Electricity | 35 W | 24 W |
| Airflow | 10853 CFM | 7723 CFM |
| Energy Costs* | - | \$7 yr |
| Efficiency | - | 320 CFM/W |

* Estimated annual energy cost based on \$0.12 per kWh and 6.4 hours use per day.



TITLE 24
California Energy
Commission

TITLE 20
California Energy
Commission

DC
MOTOR

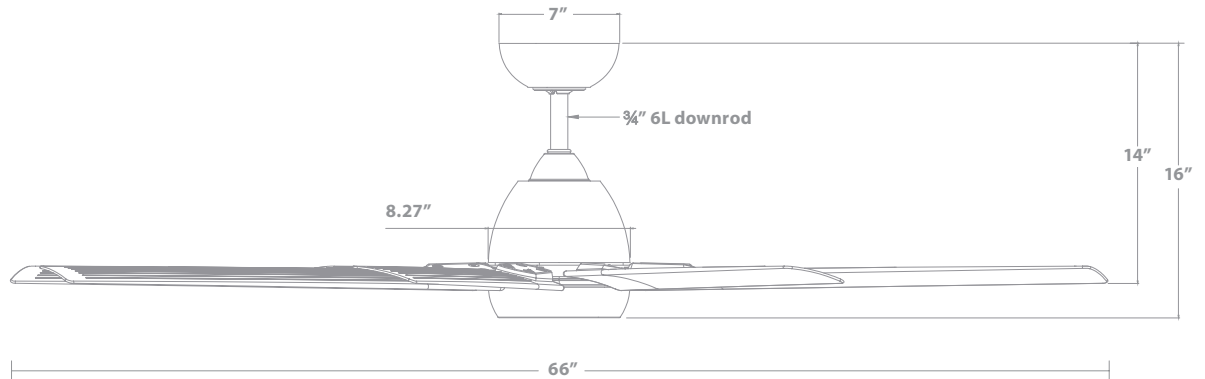


PATENTED



F-064-MW
Matte White

Shown with included luminaire cover







TITLE 24
California Energy
Commission

TITLE 20
California Energy
Commission

DC
MOTOR



MOD

Shown: F-054L-MB/DK



PATENTED

54 inch: F-054L

| Finish | Housing | Blade |
|--------------|-------------|----------------|
| MB/DK | Matte Black | Distressed Koa |
| SB/MB | Soft Brass | Matte Black |

SPECIFICATIONS

54" Mod

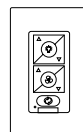
| | |
|---------------------------|---|
| Blade: | 14° Pitch, 54" Sweep, ABS |
| Lead Wire: | 80" |
| Downrod: | 0.75"ID x 6"H included |
| Mounting Slope: | Up to 30° standard |
| Hanging Weight: | 17 lbs |
| Total Power: | 50 W |
| Lumens: | 2520 - 2620 |
| LED Power: | 25 W |
| CRI: | 90 |
| Color Temperature: | 2700K, 3000K, 4000K, 5000K (Selectable) |
| LED Rated Life: | 50,000 hrs |

BLUETOOTH REMOTE CONTROL



RC20-WT
Included with each fan
6 speeds
ON/OFF

OPTIONAL BLUETOOTH WALL CONTROL



WC20-WT
Optional with each fan
6 speeds
ON/OFF



F-054L-MB/DK
 Matte Black/Distressed Koa

54" Mod

ENERGY GUIDE

| Standard | High Speed | Weighted Average |
|---------------|------------|------------------|
| Electricity | 24 W | 17 W |
| Airflow | 6817 CFM | 4643 CFM |
| Energy Costs* | - | \$5 yr |
| Efficiency | - | 266 CFM/W |

* Estimated annual energy cost based on \$0.12 per kWh and 6.4 hours use per day.



TITLE 24
California Energy
Commission

TITLE 20
California Energy
Commission

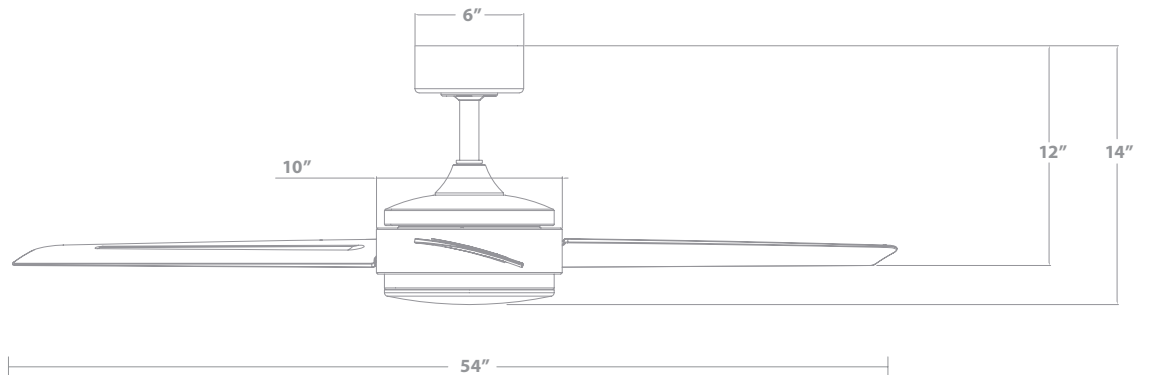
DC
MOTOR



PATENTED



F-054L-SB/MB
Soft Brass/Matte Black







TITLE 24
California Energy
Commission

TITLE 20
California Energy
Commission

DC
MOTOR



 **PATENTED**

ODYSSEY

Shown: F-005L-MW

52 inch: F-005L

| Finish | Housing | Blade |
|-----------|----------------|-----------------|
| BN | Brushed Nickel | Titanium Silver |
| MB | Matte Black | Matte Black |
| MW | Matte White | Matte White |

SPECIFICATIONS

52" Odyssey

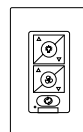
| | |
|---------------------------|---|
| Blade: | 12° Pitch, 52" Sweep, ABS |
| Lead Wire: | 80" |
| Downrod: | 0.75"ID x 4.5"H included |
| Mounting Slope: | Up to 30° standard |
| Hanging Weight: | 14 lbs |
| Total Power: | 47.5 W |
| Lumens: | 2520 - 2620 |
| LED Power: | 25 W |
| CRI: | 90 |
| Color Temperature: | 2700K, 3000K, 4000K, 5000K (Selectable) |
| LED Rated Life: | 50,000 hrs |

BLUETOOTH REMOTE CONTROL



RC20-WT
Included with each fan
6 speeds
ON/OFF

OPTIONAL BLUETOOTH WALL CONTROL



WC20-WT
Optional with each fan
6 speeds
ON/OFF



F-005L-MB
Matte Black



F-005L-BN
Brushed Nickel/Titanium Silver

52" Odyssey

ENERGY GUIDE

| Standard | High Speed | Weighted Average |
|---------------|------------|------------------|
| Electricity | 28 W | 21 W |
| Airflow | 5042 CFM | 3221 CFM |
| Energy Costs* | - | \$6 yr |
| Efficiency | - | 155 CFM/W |

* Estimated annual energy cost based on \$0.12 per kWh and 6.4 hours use per day.



TITLE 24
California Energy
Commission

TITLE 20
California Energy
Commission

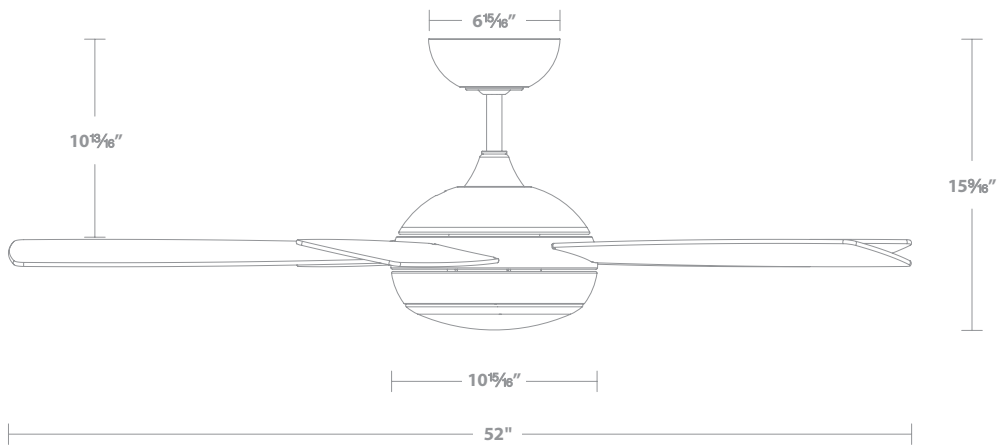
DC
MOTOR



 **DAMP** **PATENTED**



F-005L-MW
Matte White







TITLE 24
California Energy
Commission

TITLE 20
California Energy
Commission

DC
MOTOR



DAMP **PATENTED**

ODYSSEY FLUSH

44" & 52"

Shown: F-034L-MB

44 inch: F-034L

52 inch: F-035L

| Finish | Housing | Blade |
|-----------|----------------|-----------------|
| BN | Brushed Nickel | Titanium Silver |
| MB | Matte Black | Matte Black |
| MW | Matte Black | Matte White |

SPECIFICATIONS

44" & 52" Odyssey

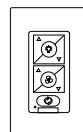
| | |
|---------------------------|---|
| Blade: | 12° Pitch, 44" or 52" Sweep, ABS |
| Lead Wire: | 8" |
| Hanging Weight: | 12.5 lbs / 12.5 lbs |
| Total Power: | 49 W / 57.5 W |
| Lumens: | 2520 - 2620 |
| LED Power: | 25 W |
| CRI: | 90 |
| Color Temperature: | 2700K, 3000K, 4000K, 5000K (Selectable) |
| LED Rated Life: | 50,000 hrs |

BLUETOOTH REMOTE CONTROL



RC20-WT
Included with each fan
6 speeds
ON/OFF

OPTIONAL BLUETOOTH WALL CONTROL



WC20-WT
Optional with each fan
6 speeds
ON/OFF



F-034L-MW
Matte White



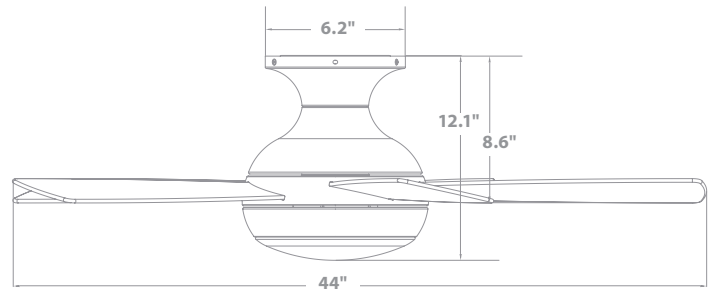
F-034L-BN
Brushed Nickel/Titanium Silver

44" Odyssey

ENERGY GUIDE

| Standard | High Speed | Weighted Average |
|---------------|------------|------------------|
| Electricity | 22 W | 18 W |
| Airflow | 3517 CFM | 2132 CFM |
| Energy Costs* | - | \$5 yr |
| Efficiency | - | 121 CFM/W |

* Estimated annual energy cost based on \$0.12 per kWh and 6.4 hours use per day.





TITLE 24
California Energy
Commission

TITLE 20
California Energy
Commission

DC
MOTOR



DAMP **PATENTED**



F-035L-BN
Brushed Nickel/Titanium Silver



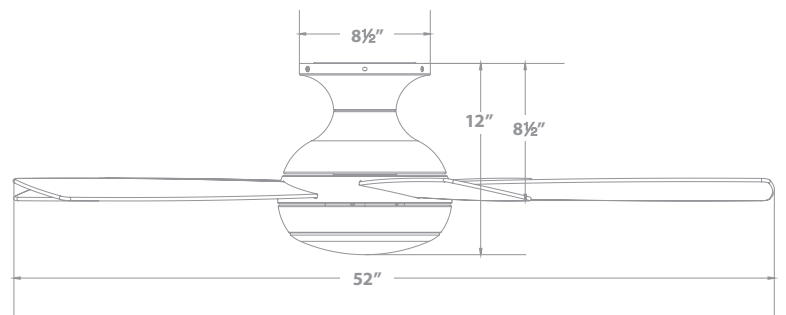
F-035L-MB
Matte Black

52" Odyssey

ENERGY GUIDE

| Standard | High Speed | Weighted Average |
|---------------|------------|------------------|
| Electricity | 31 W | 23 W |
| Airflow | 4782 CFM | 2999 CFM |
| Energy Costs* | - | \$6 yr |
| Efficiency | - | 132 CFM/W |

* Estimated annual energy cost based on \$0.12 per kWh and 6.4 hours use per day.







TITLE 24
California Energy
Commission

TITLE 20
California Energy
Commission

DC
MOTOR



PATENTED

STELLA

Shown: F-056L-MB

60 inch: F-056

60 inch: F-056L

| Finish | Housing | Blade |
|-----------|-------------|-------------|
| MB | Matte Black | Matte Black |
| MW | Matte White | Matte White |

SPECIFICATIONS

60" Stella

| | |
|------------------------|---------------------------|
| Blade: | 16° Pitch, 60" Sweep, ABS |
| Lead Wire: | 80" |
| Downrod: | 0.75"ID x 6"H included |
| Mounting Slope: | Up to 30° standard |
| Hanging Weight: | 12 lbs |

Luminaire Version

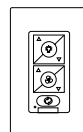
| | |
|---------------------------|---|
| Total Power: | 42 W |
| Lumens: | 1497 - 1606 (Based on CCT) |
| LED Power: | 16 W |
| CRI: | 90 |
| Color Temperature: | 2700K, 3000K, 4000K, 5000K (Selectable) |
| LED Rated Life: | 50,000 hrs |

BLUETOOTH REMOTE CONTROL



RC20-WT
Included with each fan
6 speeds
ON/OFF

OPTIONAL BLUETOOTH WALL CONTROL



WC20-WT
Optional with each fan
6 speeds
ON/OFF



F-056L-MW
Matte White

60" Stella

ENERGY GUIDE

| Standard | High Speed | Weighted Average |
|---------------|------------|------------------|
| Electricity | 26 W | 20 W |
| Airflow | 5906 CFM | 3946 CFM |
| Energy Costs* | - | \$6 yr |
| Efficiency | - | 195 CFM/W |

* Estimated annual energy cost based on \$0.12 per kWh and 6.4 hours use per day.



TITLE 24
California Energy
Commission

TITLE 20
California Energy
Commission

DC
MOTOR

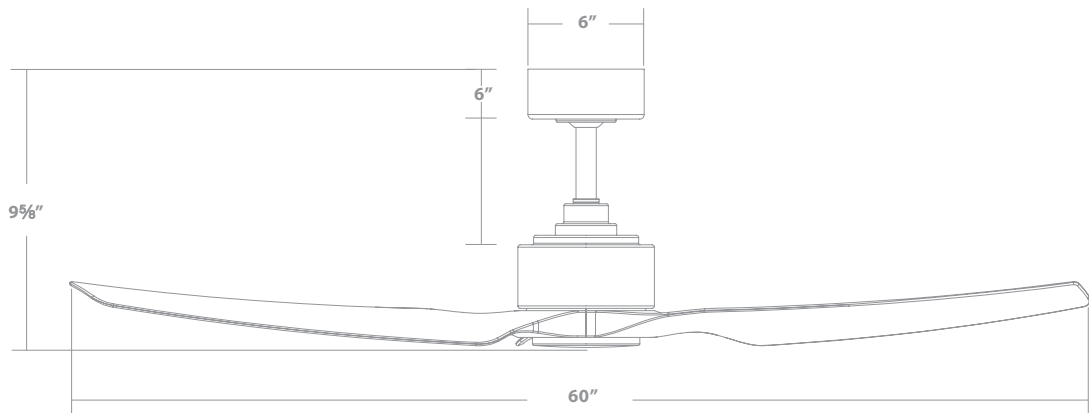


PATENTED



F-056L-MB
Matte Black

Shown with included luminaire cover







TITLE 24
California Energy
Commission

TITLE 20
California Energy
Commission

DC
MOTOR



 **PATENTED**

SWIRL

Shown: F-074L-MB/DK

54 inch: F-074L

| Finish | Housing | Blade |
|--------------|-------------|----------------|
| MB | Matte Black | Matte Black |
| MB/DK | Matte Black | Distressed Koa |
| MW* | Matte White | Matte White |
| SB/MB | Soft Brass | Matte Black |
| SB/MW | Soft Brass | Matte White |

SPECIFICATIONS

54" Swirl

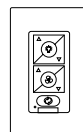
| | |
|---------------------------|---|
| Blade: | 24° Pitch, 54" Sweep, ABS |
| Lead Wire: | 80" |
| Downrod: | 0.75"ID x 6"H included |
| Mounting Slope: | Up to 30° standard |
| Hanging Weight: | 17 lbs |
| Total Power: | 57 W |
| Lumens: | 1991 - 2159 (Based on CCT) |
| LED Power: | 21 W |
| CRI: | 90 |
| Color Temperature: | 2700K, 3000K, 4000K, 5000K (Selectable) |
| LED Rated Life: | 50,000 hrs |

BLUETOOTH REMOTE CONTROL



RC20-WT
Included with each fan
6 speeds
ON/OFF

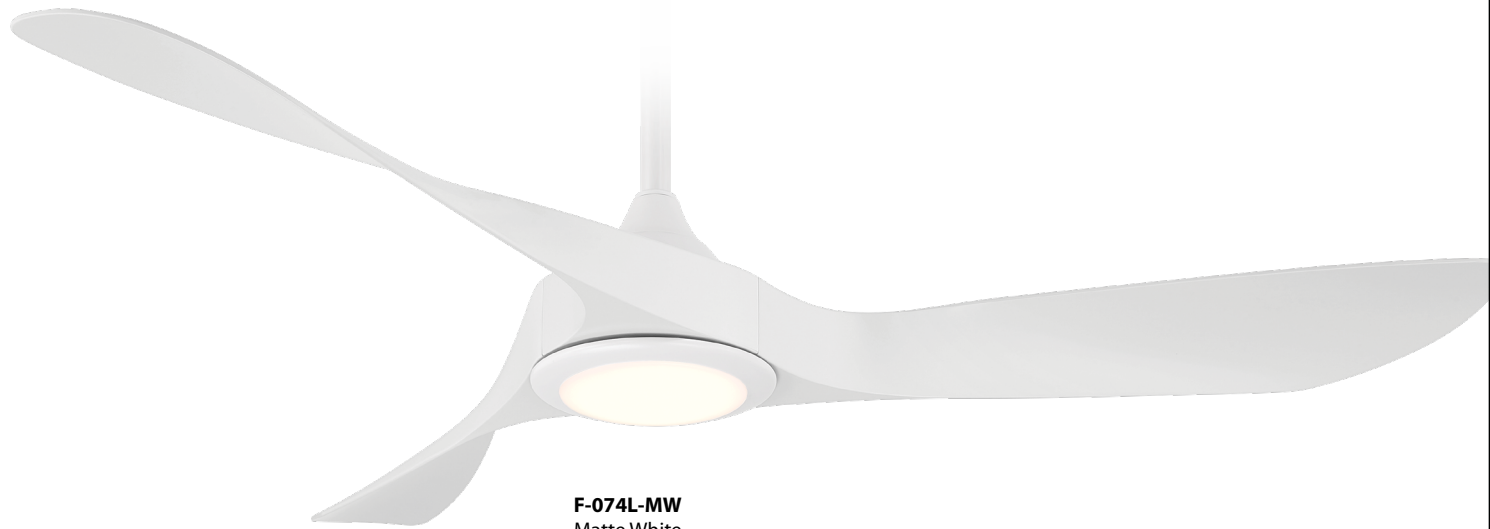
OPTIONAL BLUETOOTH WALL CONTROL



WC20-WT
Optional with each fan
6 speeds
ON/OFF



F-074L-SB/MB
Soft Brass/Matte Black



F-074L-MW
Matte White



F-074L-MB/DK
Matte Black/Distressed Koa

54" Swirl

ENERGY GUIDE

| Standard | High Speed | Weighted Average |
|---------------|------------|------------------|
| Electricity | 36 W | 25 W |
| Airflow | 5650 CFM | 3687 CFM |
| Energy Costs* | - | \$7 yr |
| Efficiency | - | 150 CFM/W |

* Estimated annual energy cost based on \$0.12 per kWh and 6.4 hours use per day.



TITLE 24
California Energy
Commission

TITLE 20
California Energy
Commission

DC
MOTOR



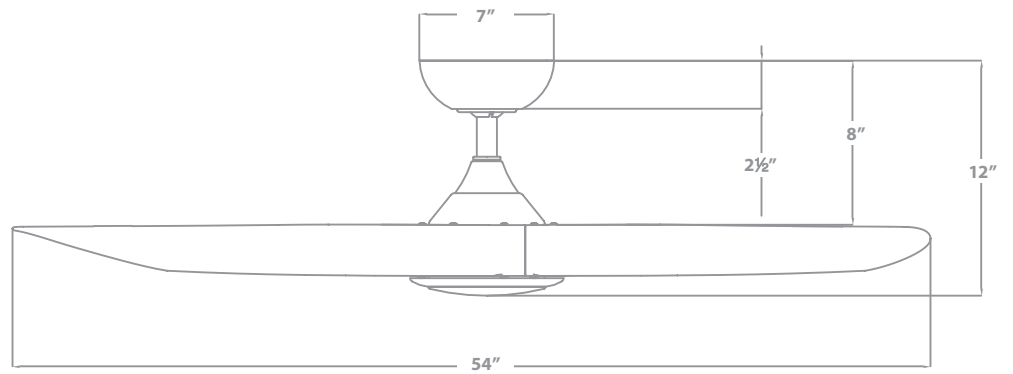
PATENTED



F-074L-MB
Matte Black



F-074L-SB/MW
Soft Brass/Matte White







TITLE 24
California Energy
Commission

TITLE 20
California Energy
Commission

DC
MOTOR



PATENTED

SWIRL 5

New for 2025

Shown: F-105L-MB/DK

56 inch: F-105L

| Finish | Housing | Blade |
|--------------|-------------|----------------|
| MB | Matte Black | Matte Black |
| MB/DK | Matte Black | Distressed Koa |

SPECIFICATIONS

56" Swirl 5

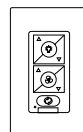
| | |
|---------------------------|---|
| Blade: | 30° Pitch, 56" Sweep, ABS |
| Lead Wire: | 80" |
| Downrod: | 0.75"ID x 6"H included |
| Mounting Slope: | Up to 30° standard |
| Hanging Weight: | 14 lbs |
| Total Power: | 59 W |
| Lumens: | 1991 - 2159 (Based on CCT) |
| LED Power: | 21 W |
| CRI: | 90 |
| Color Temperature: | 2700K, 3000K, 4000K, 5000K (Selectable) |
| LED Rated Life: | 50,000 hrs |

BLUETOOTH REMOTE CONTROL



RC20-WT
Included with each fan
6 speeds
ON/OFF

OPTIONAL BLUETOOTH WALL CONTROL



WC20-WT
Optional with each fan
6 speeds
ON/OFF



F-105L-MB/DK
 Matte Black/Distressed Koa

56" Swirl 5 | New for 2025

ENERGY GUIDE

| Standard | High Speed | Weighted Average |
|---------------|------------|------------------|
| Electricity | 35 W | 27 W |
| Airflow | 6408 CFM | 4439 CFM |
| Energy Costs* | - | \$8 yr |
| Efficiency | 188 CFM/W | 188 CFM/W |

* Estimated annual energy cost based on \$0.12 per kWh and 6.4 hours use per day.



TITLE 24
California Energy
Commission

TITLE 20
California Energy
Commission

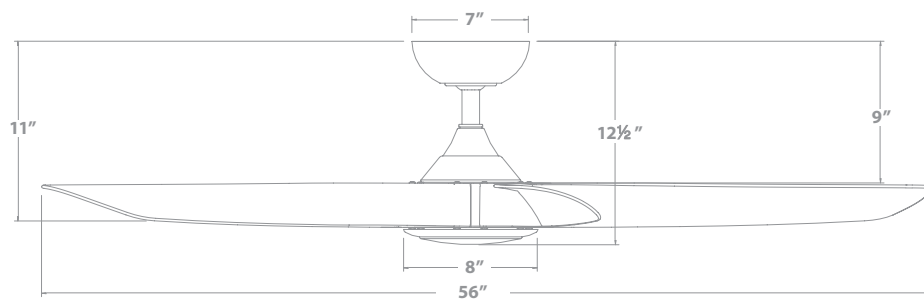
DC
MOTOR



PATENTED



F-105L-MB
Matte Black



ACCESSORIES

PATENT PENDING

F-STBLZ



Fan Stabilizer

Adds stability to fan

- Locks the hanger ball to eliminate sway and vibration
- Ensures steady operation in coastal and high-wind areas
- Engineered to withstand high winds: Passed a Level 12 Beaufort test (74–83 mph)

Suggested Downrod Height Usage

| Ceiling Height | 15' | 14' | 13' | 12' | 11' | 10' | 9' |
|----------------|-----|-----|-----|-----|-----|-----|-----|
| Downrod | 72" | 60" | 48" | 36" | 24" | 18" | 12" |

Sloped Ceiling Kit

Designed to accommodate buildings with steeper sloped ceilings up to 45° or 12/12 pitch

Sloped Ceiling Kit





SC-SCK

| | | | |
|-----------|----------------|-----------|-------------------|
| BN | Brushed Nickel | MW | Matte White |
| BZ | Bronze | OB | Oil-Rubbed Bronze |
| MB | Matte Black | SB | Soft Brass |

Example: **XF-SCK-TT**

Downrod and Cap Couplers

| | | | | | | | |
|---------|---|--|---|--|---|-------------|--------------------------------|
| Downrod |  | DR-12 12in DR-18 18in DR-24 24in DR-36 36in | DR-48 48in DR-60 60in DR-72 72in | All our downrods are 0.75" I.D. and are threaded on the motor end to create an extra layer of security and allow for adjustments in the field. | Downrod Couplers  | DC-I | Connects two downrods together |
|---------|---|--|---|--|---|-------------|--------------------------------|

Example: **DR-18-MB**

Sloped Ceiling Degree Conversion Chart

| Degree | 4-8° | 9-13° | 14-17° | 18-21° | 22-25° | 26-29° | 30-32° | 33-35° | 36-38° | 39-41° | 42-44° | 45° |
|---------------------|------------|------------|------------|------------|------------|------------|------------|------------|------------|-------------|-------------|-------------|
| Ceiling Slope Pitch | 1/12 Pitch | 2/12 Pitch | 3/12 Pitch | 4/12 Pitch | 5/12 Pitch | 6/12 Pitch | 7/12 Pitch | 8/12 Pitch | 9/12 Pitch | 10/12 Pitch | 11/12 Pitch | 12/12 Pitch |

Bluetooth Remote Control

Bluetooth Wall Control

Classic Series Controls



RC20-WT
6 fan speeds
100-0% dimming
ON/OFF/REVERSE



WC20-WT
6 fan speeds
Dims light to 1%
ON/OFF/REVERSE

Plus Series Controls



RCG4-WT
6 fan speeds
100-0% dimming
ON/OFF/REVERSE



WCG4-WT
6 fan speeds
Dims light to 1%
ON/OFF/REVERSE

Alphabetical Index

| | |
|----------------|----|
| Aella | 28 |
| Blitzen | 32 |
| Clean | 36 |
| Eclipse | 40 |
| Ferris • | 10 |
| Flair | 20 |
| Gage | 16 |
| Hug 44 | 44 |
| Hug 52 | 44 |
| Loft | 48 |
| Mocha | 52 |

• New model for 2026

| | |
|------------------------|----|
| Mocha XL | 56 |
| Mod | 60 |
| Novelle | 24 |
| Odyssey | 64 |
| Odyssey Flush 44 | 68 |
| Odyssey Flush 52 | 68 |
| Stella | 72 |
| Swirl | 76 |
| Swirl 5 | 80 |
| Zeke • | 6 |

Entire Line of WAC Smart Fans

| Size | Model | Name | Page | Finishes | Wet Listing | Luminaire | CFM |
|------|--------|---------------|------|-----------------------------|-------------|-----------|-------|
| 22" | F-096L | AELLA | 28 | AB/MB, BN, MB | DAMP | YES | 1191 |
| 38" | F-094L | LOFT | 48 | MB, MW, SB/MB | WET | YES | 4057 |
| 44" | F-036L | HUG | 32 | BN, MB, MW | DAMP | YES | 3619 |
| 44" | F-034L | ODYSSEY FLUSH | 68 | BN, MB, MW | DAMP | YES | 3517 |
| 52" | F-003 | CLEAN | 36 | BA, MB, MW, SB/MB, SB/MW | WET | NO | 5924 |
| 52" | F-003L | CLEAN | 36 | BA, MB, MW, SB/MB, SB/MW | WET | YES | 5924 |
| 52" | F-110L | FERRIS | 10 | MB, MW | WET | YES | 6172 |
| 52" | F-104L | GAGE | 16 | BN/SL, MB, MW | DAMP | YES | 6273 |
| 52" | F-037L | HUG | 44 | BN, MB, MW | DAMP | YES | 4469 |
| 52" | F-109L | NOVELLE | 24 | MB, MW | WET | YES | 4430 |
| 52" | F-005L | ODYSSEY | 64 | BN, MB, MW | DAMP | YES | 5042 |
| 52" | F-035L | ODYSSEY FLUSH | 68 | BN, MB, MW | DAMP | YES | 4782 |
| 54" | F-060 | BLITZEN | 32 | BN, MB, MW, SB/MB | DAMP | NO | 4796 |
| 54" | F-060L | BLITZEN | 32 | BN, MB, MW, SB/MB | DAMP | YES | 4796 |
| 54" | F-053L | ECLIPSE | 40 | SB/MB, SB/MW | DAMP | YES | 5106 |
| 54" | F-054L | MOD | 60 | MB/DK, SB/MB | WET | YES | 6817 |
| 54" | F-001 | MOCHA | 52 | BA, MB, MW, OB | WET | NO | 6872 |
| 54" | F-001L | MOCHA | 52 | BA, MB, MW, OB | WET | YES | 6872 |
| 54" | F-074L | SWIRL | 76 | MB, MB/DK, MW, SB/MB, SB/MW | WET | YES | 5650 |
| 56" | F-103L | FLAIR | 20 | BZ, MB, MW | WET | YES | 6408 |
| 56" | F-105L | SWIRL 5 | 80 | MB, MB/DK | WET | YES | 6582 |
| 60" | F-056L | STELLA | 72 | MB, MW | WET | YES | 5906 |
| 60" | F-111L | ZEKE | 6 | MB, MB/DK, MW | WET | YES | 6633 |
| 66" | F-064 | MOCHA XL | 56 | MB, MW | WET | NO | 10853 |
| 66" | F-064L | MOCHA XL | 56 | MB, MW | WET | YES | 10853 |

NOTES:

NOTES:

Headquarters

Tel: 800.526.2588

Fax: 800.526.2585

44 Harbor Park Dr
Port Washington, NY 11050

South East

1600 Distribution Ct
Lithia Springs, GA 30122

Central

1700 South J Elmer Freeway
Suite 100
Cedar Hill, TX 75104

West

1750 S Archibald Ave
Ontario, CA 91761

Consult our manufacturing facility to take advantage of our custom capabilities for large quantities. For up-to-date product specifications and assistance please visit **wacighting.com** or call **1-800-526-2588**

This catalog includes patented and patent-pending products or features. We will not hesitate to enforce our intellectual property rights through injunctive relief and seek further relief through damages if we have reason to believe the patents are being infringed.

© 2026 WAC Group

All rights reserved. This catalog is copyrighted and WAC Group reserves the right to use any and all measures available to it under the law against anyone who copies or derives from its copyrighted work.

WAC GROUP

TECHNOLOGY ILLUMINATED

We retain the right to modify the design of our product at any time as part of the company's continuous improvement program. Please refer to our website for the latest product specifications.

This catalog includes many patented and patent-pending products or features. We will not hesitate to enforce our intellectual property rights through injunctive relief and seek further relief through damages if we have reason to believe the patents are being infringed.

Copyright © 2026. All rights reserved. This catalog is copyrighted. We will use all measures available to us under the law against anyone who copies or derives from our copyrighted work.

WACLIGHTING.COM